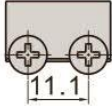
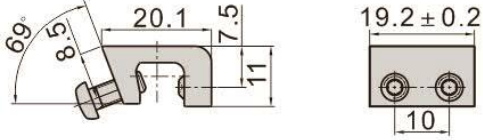
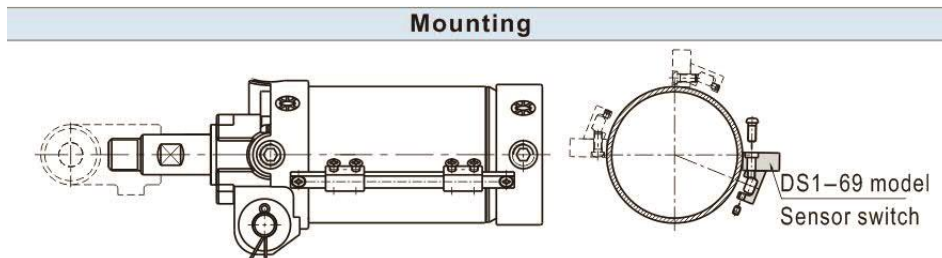


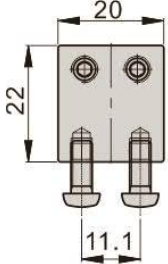
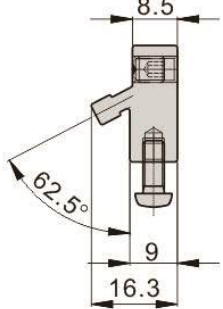
In powerful magnetic field, sensor switch for high-magnet shall be matched, and the anti-magnetic bracket(F-MCK40H for MCK series or F-AQK50H for AQK50 Series) must be ordered separately, the ordering code, dimensions and the mounting method are below:

F-MCK40H(For MCK Series)

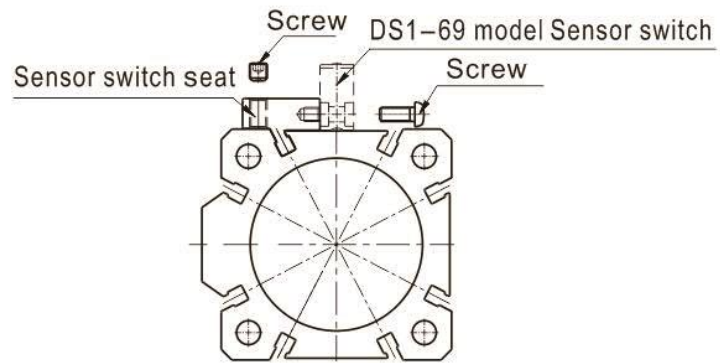
Ordering code	Dimensions	
F-MCK40H (For MCK Series)		



F-AQK50H(For AQK50 Series)

Ordering code	Dimensions	
F-AQK50H (For AQK50 Series)		

## Mounting



### Indicator action illustration

