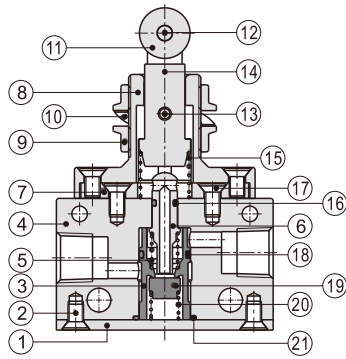


Control valve(3/2 way, 5/3 way)

CM3 Series

Inner structure

CM3V



No.	Item	No.	Item	No.	Item
1	Fixing plate	8	Connecting holder	15	Spring
2	Screw	9	Clamping nut	16	O-ring
3	Spacer	10	Spring gasket	17	Screw
4	Body	11	Roller	18	O-ring
5	Spring	12	Shaft	19	Bottom cover gasket
6	Spool	13	Lock pin	20	Spring
7	Connecting gasket	14	Roller bracket	21	O-ring

Installation and operation

1. Mounting way: by body, by panel I, by panel II, latching type, mushroom type. Please refer to the following picture:

Fixation way of body	Fixation way of panel I	Fixation way of panel II	Big mushroom type(With guard)	Mushroom type(With guard)
Latching type	Mushroom type			
<p>Disassembly: Remove the screw, then to draw the button. Assembly: Install the button, then to tighten the screw.</p>	<p>The button can be drew upward, or be pressed downward.</p>		<p>Disassembly: Remove the push cap, then remove the guard. Assembly: Install the guard, then to tighten the push cap.</p>	<p>Disassembly: Untighten the guard first, then remove the push cap with the guard. Assembly: Install the guard, then to tighten the push cap.</p>

2. The control set is made of engineering plastic which only allows manual operation and switching valves through metal impact is forbidden.

3. The series of CM3B, CM3L, CM3V, CM3R, CM3PM, CM3PMS, CM3PMX, CM3PF, CM3PP get the function of automatic restoration. The hand valves of CM3Y, CM3HS, CM3HD, CM3PL are in type of manual restoration. CM3PL will be restored by turning the revolve button after being pressed into orientation.

4. Pay attention to the reversing stroke. The reversing stroke can not surpass its stroke stipulated in stroke control table when the direction-change of the valve is forced by any external forces, otherwise it will cause the damage of the valve.

Model	Spool stroke	Button(Roller\Handle) stroke	Model	Spool stroke	Button(Roller\Handle) stroke
CM3B05(06)	1.5~3.0	-	CM3B08	2.4~4.0	-
CM3R05(06)	1.5~2.5	3.0~4.8	CM3R08	2.4~3.2	6.8~9.0
CM3L05(06)	1.5~2.3	3.0~4.8	CM3L08	2.4~3.2	7.2~9.7
CM3V05(06)	1.5~3.0	2.7~4.2	CM3V08	2.4~4.0	2.6~4.2
CM3Y05(06)	1.5~2.5	3.0~4.8	CM3Y08	2.4~3.2	6.8~9.0
CM3PL05(06)	1.5~2.5	4.0~5.0	CM3PL08	2.4~3.5	4.0~5.0
CM3PP05(06)	1.5~3.0	4.0~5.5	CM3PP08	2.4~4.0	4.0~5.5
CM3PF05(06)	1.5~3.0	4.0~5.5	CM3PF08	2.4~4.0	4.0~5.5
CM3HS05(06)	1.5~3.0	4.0~5.5	CM3HS08	2.4~4.0	4.0~5.5
CM3HD05(06)	1.5~3.0	4.0~5.5	CM3HD08	2.4~4.0	4.0~5.5
CM3PM05(06)	1.5~3.0	4.0~5.5	CM3PM08	2.4~4.0	4.0~5.5
CM3PMS05(06)	1.5~3.0	4.0~5.5	CM3PMX08	2.4~4.0	4.0~5.5
CM3PMX05(06)	1.5~3.0	4.0~5.5	CM3PMX08	2.4~4.0	4.0~5.5

5. The CM3L can only switch the valve in single direction(impact from left to right). The impact from the other direction (from right to left) is invalid .

6. Control joint combination can be ordered individually. Please refer to external specification.